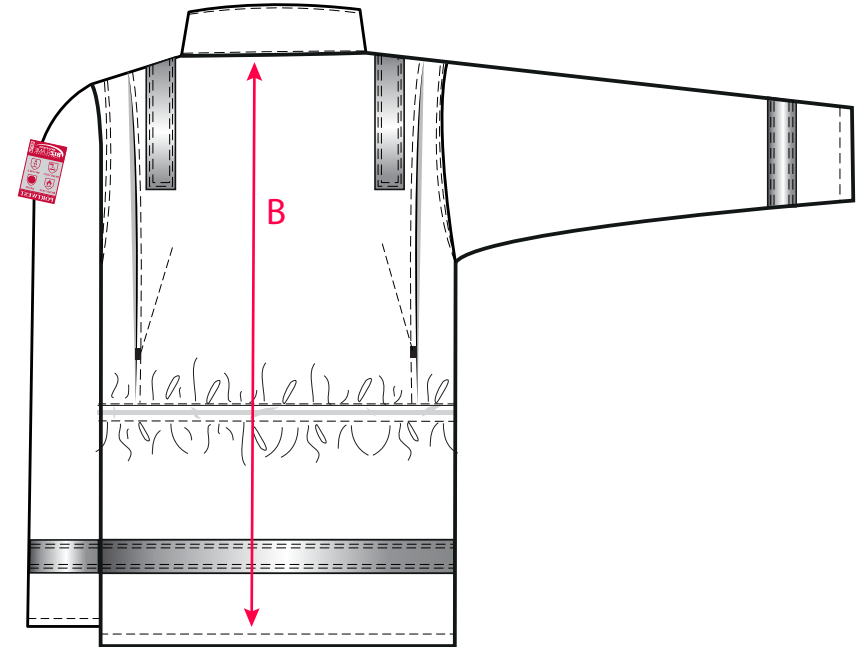
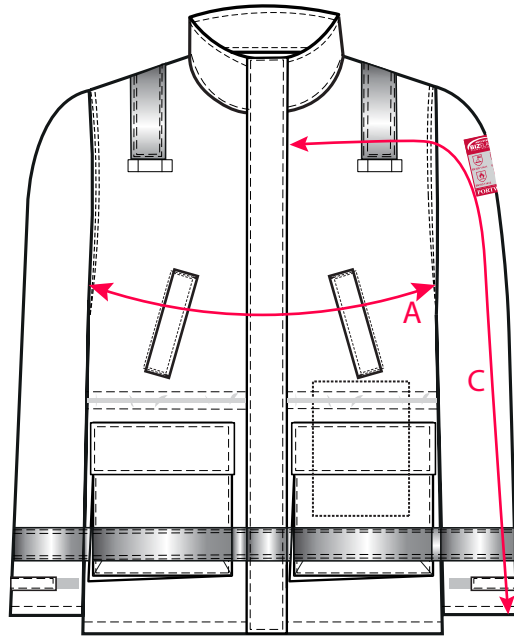


BASE STYLE: FR59

DESCRIPTION: Bizflame Work FR Insulated Jacket

FABRIC: 99% FR Treated Cotton, 1% Carbon Fibre

Navy, Orange, Red, Royal Blue



Descriptions		S	M	L	XL	XXL	3XL
Chest Width	A	113.00	121.00	129.00	137.00	149.00	157.00
Back Length	B	77.00	78.00	79.00	86.00	80.00	81.00
sleeve length 12CM below neck	C	88	89.00	90.00	91.00	92.00	93.00